

BADU[®] Pro-V CVS (2.7 THP)

High Performance Swimming Pool Pump

SPECK X

A Drop in replacement design for Hayward[®] Super Pump[®] and Pentair[®] SuperFlo[®] pumps

Features

- The BADU Pro pump series saves you time & money while making your life simpler.
- Easily serviceable 4-bolt design & handle
- This high performance pump comes complete with our unique mechanical shaft seal that allows the pump, if mistreated, to run dry for up to one hour. The pump can be used for pool water with a salt concentration of up to 5000 ppm.
- Non-corrosive, chemical/UV resistant, and can withstand temperatures of up to 175°F.
- Lock ring that incorporates handles. These handles provide the user with a convenient way to easily remove the lid.
- Clear lid with LED light, allowing the user to check the basket for debris.
- Suction and discharge comes equipped with quick disconnect unions as well as internal threads for easy installation and maintenance.
- 2.7 THP Century[®] VGreen[®] Variable Speed motor with built-in easy to use controller LCD screen. (Also available with SVRS)
- RPM levels can be set to range from 600 to 3450. Levels can be set in increments of 25.
- Programmable high efficiency TEFC maintenance-free permanent magnet brushless 56 frame motor with Class F insulation.
- Freeze protection feature that can be turned ON/OFF or adjusted.
- Programmable auxiliary load feature.
- The controller can be removed and mounted away from the pump using the RS485 cable.
- Every pump is performance tested before leaving the Speck factory.



BADU Pro-V CVS

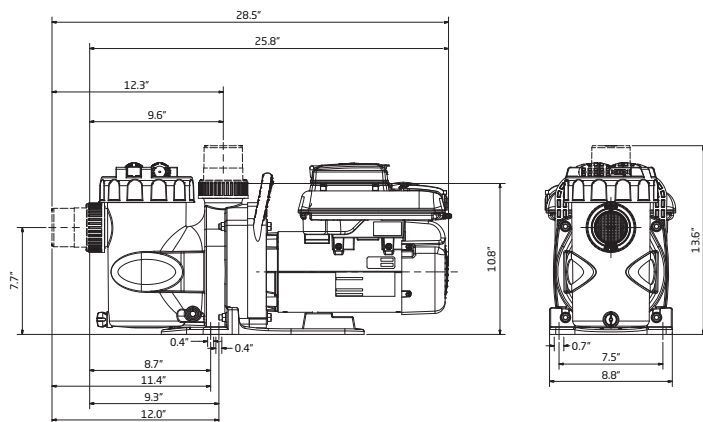
Trademarks and Certifications



Applications

- Large residential pools & spas
- Small commercial pools

Dimensional Drawing



Hayward[®] and Super Pump[®] & Super II[™] are trademarks and/or registered trademarks of Hayward Industries, Inc. Pentair[®], SuperFlo[®] are trademarks and/or registered trademarks of Pentair Water Pool and Spa, Inc. and/or its affiliated companies.

Performance Curve

